



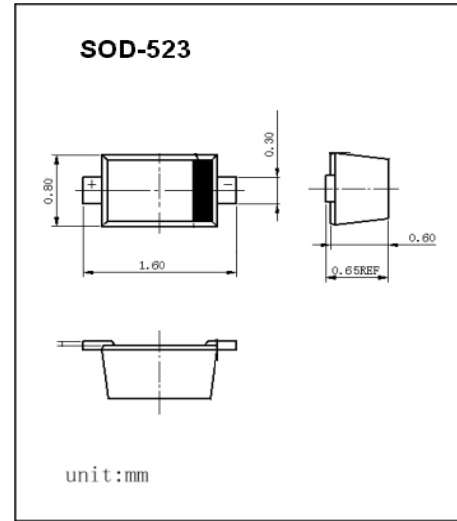
SOD-523 Plastic-Encapsulated Diodes

BAS516 Switching Diodes

FEATURES

- Small surface mounting type
- High switching speed

Marking: 61



Maximum Ratings and Electrical Characteristics, Single Diode @T_A=25°C

Parameter	Symbol	Limits	Unit
DC reverse voltage	V _R	75	V
Mean rectifying current	I _O	250	mA
Peak forward surge current	I _{FSM}	0.5	A
Junction temperature	T _j	150	°C
Storage temperature	T _{stg}	-65~+150	°C

Electrical Ratings @T_A=25°C

Parameter	Symbol	Min.	Typ.	Max.	Unit	Conditions
Forward voltage	V _F			0.715	V	I _F =1mA
				0.855		I _F =10mA
				1		I _F =50mA
				1.25		I _F =150mA
Reverse current	I _R			0.03	μA	V _R =25V
				1		V _R =75V
Capacitance between terminals	C _T			1	pF	V _R =0, f=1MHZ
Reverse recovery time	t _{rr}			4	ns	I _F =10mA, R _L =100Ω